

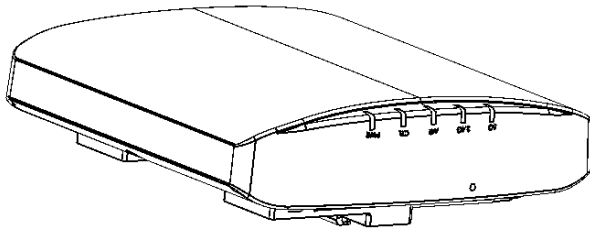


# Unleashed R320 Access Point Quick Setup Guide

This *Quick Setup Guide* provides step-by-step instructions on how to set up your Ruckus Unleashed R320 access point. After completing the steps in this guide, you will be able to place the access point (AP) at your site and provide wireless network access to users.

For detailed information on configuration and administration of your Ruckus Unleashed R320 AP, refer to the *Unleashed Online Help*, available from <https://docs.ruckuswireless.com/unleashed/200.7/index.html>.

**FIGURE 1** Unleashed R320 Top



## Before You Begin

Before deploying Ruckus products, please check for the latest software and the release documentation.

- Release Notes and other user documentation are available at <http://support.ruckuswireless.com/documents>.
- Software upgrades are available at <http://support.ruckuswireless.com/software>.
- Open source information is available at [http://opensource.ruckuswireless.com/open\\_source](http://opensource.ruckuswireless.com/open_source).

## This Guide in Other Languages

- 请从以下网站获得该指南的简体中文版 <https://support.ruckuswireless.com>.
- Vous trouverez la version française de ce guide à l'adresse suivante <https://support.ruckuswireless.com>.
- このガイドの日本語版は <https://support.ruckuswireless.com> でご覧ください。
- 이 가이드의 한국어 버전은 웹 사이트 (<https://support.ruckuswireless.com>) 에서 확인하시기 바랍니다.

- Veja a versão em português (Brasil) deste guia em <https://support.ruckuswireless.com>.
- Puede ver la versión en español (América Latina) de esta guía en <https://support.ruckuswireless.com>.

## Package Contents

A complete Unleashed R320 installation package includes all of the items listed below:

- Unleashed R320 Access Point
- One wall-mount anchor kit, including two 1" No. 8 steel pan head Phillips sheet metal screws and wall-mount anchors.
- One external T-bar bracket (two unassembled parts)
- One unit removal pin
- Service Level Agreement/Limited Warranty Statement
- Declaration of Conformity
- Regulatory Statement
- This Quick Setup Guide

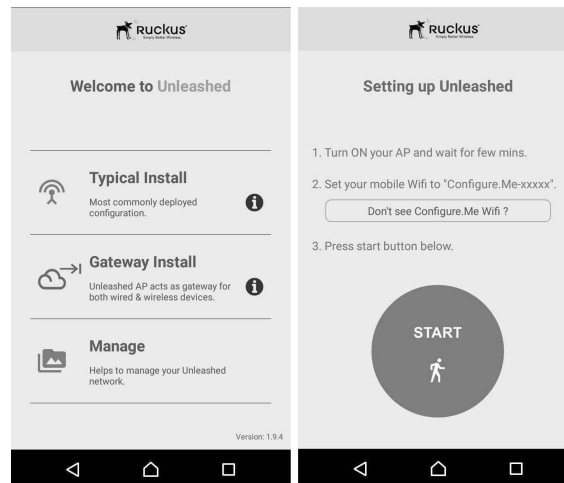
## Unleashed Network Configuration

### Setup Using the Unleashed Mobile App

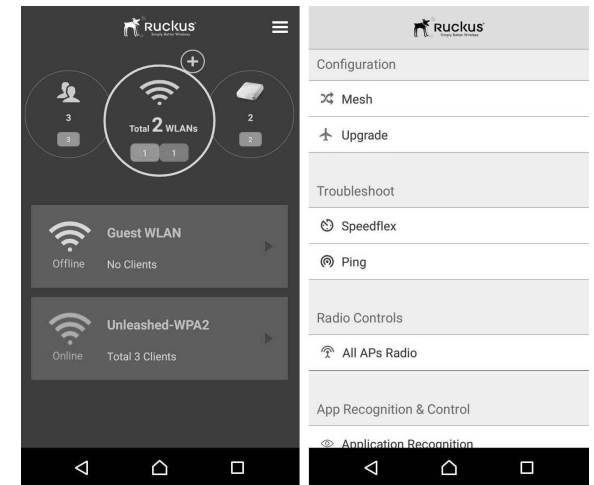
To perform setup using the Unleashed Mobile App, download the iOS or Android app from the app store.

1. As soon as the Unleashed AP is powered on and connected to the local network, it boots up and begins broadcasting a temporary unencrypted WLAN named "Configure.Me-[xxxxxx]" from both radios.
2. Using your client's Wi-Fi connection settings, select and associate to the "Configure.Me-[xxxxxx]" WLAN.
3. Launch the app, and follow the on-screen instructions to configure your Unleashed network(s).

**FIGURE 2** Unleashed Mobile App for iOS and Android



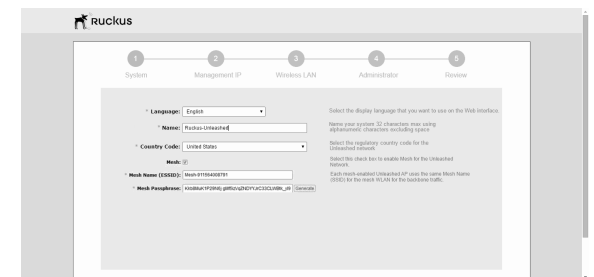
**FIGURE 3** Configuring Unleashed from the Mobile App



### Setup Using a Web Browser

1. As soon as the Unleashed AP is powered on and connected to the local network, it boots up and begins broadcasting a temporary unencrypted WLAN named "Configure.Me-[xxxxxx]" from both radios.
2. Using your client's Wi-Fi connection settings, select and associate to the "Configure.Me-[xxxxxx]" WLAN.
3. Launch a web browser and enter the following into the browser's URL bar: *unleashed.ruckuswireless.com*, and press **Enter**.
4. You will be redirected to the Setup Wizard. Complete the steps in the Setup Wizard and click **Finish**.

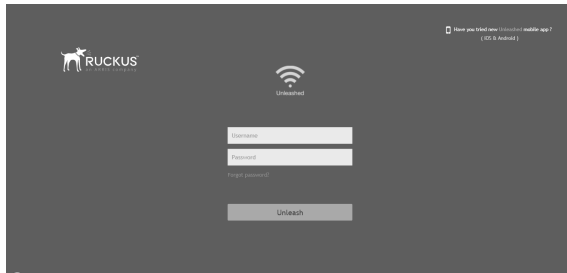
**FIGURE 4** Complete the Setup Wizard to set up your Unleashed network



5. Once the Setup Wizard is finished, a "Configuring system settings and rebooting" progress screen appears. Wait until the process is complete.

- Connect to the WLAN that you configured in the Setup Wizard, and click OK to reconnect. You will be redirected to the Unleashed login screen.
- Enter your Admin Name and Password to login.

**FIGURE 5** The Login page



- Upon successful login you will be presented with the Unleashed Dashboard, which displays an overview of your Ruckus Unleashed network.

## INSTALLING THE AP

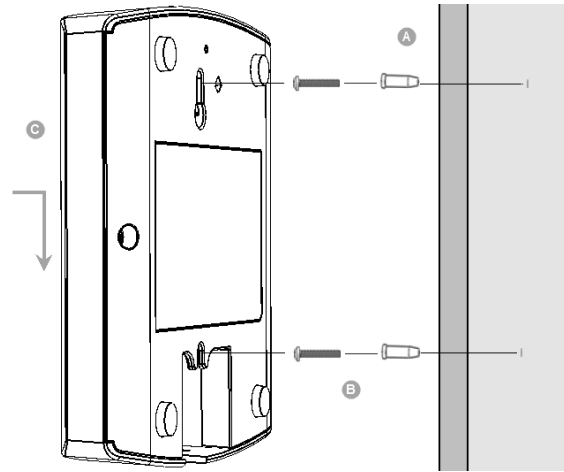
The AP can be mounted on a flat surface, on a drop-ceiling T-bar, or on a pole or flat surface. Refer to the following sections:

### Mounting on a Flat Surface

The factory-supplied mounting screws and plastic wall anchors allow you to attach the AP to a wall or ceiling.

- Use the Mounting Template on the last page of this guide to mark the locations for two drill holes on the mounting surface.
- Use a 4.75mm (3/16") drill bit to drill holes approximately 25mm (1") deep into the mounting surface.
- Insert the factory-supplied anchors (A in the below figure) and mounting screws (B) into the mounting surface, leaving approximately 6 mm (1/4") of the screw heads protruding from the surface.

**FIGURE 6** Mounting the AP on flat surface



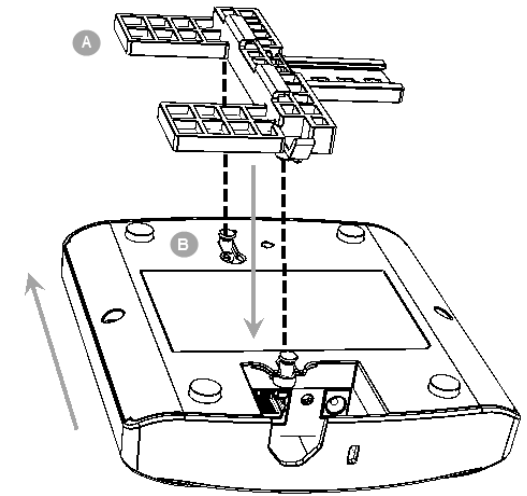
- Place the AP onto the mounting screws so that the screw heads enter the keyholes on the AP enclosure (C), and gently press down on the AP until the locking tab in the upper AP keyhole locks the AP onto the top mounting screw.

### Mounting on a Drop-Ceiling T-Bar

The factory-supplied T-bar mounting assembly kit allows you to attach the AP to recessed and flush drop-ceiling T-bars.

- Position the studs on the bottom of the T-bar bracket (A in the below figure) to the keyholes on the AP enclosure.
- Slide the T-bar bracket away from the Ethernet ports on the bottom of the AP until the AP retainer tab snaps into place, trapping the T-bar bracket studs in the keyholes.

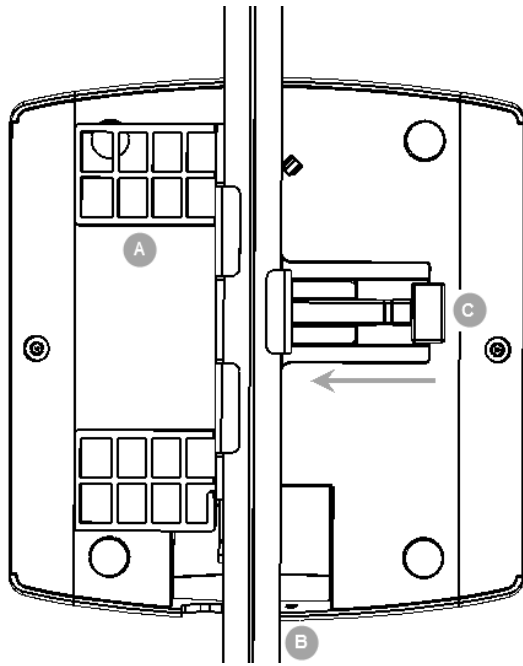
**FIGURE 7** Attaching the T-bar bracket to the AP



- Gently push the ceiling tiles, if present, up and out of the way.
- Position the T-bar bracket (A in the below figure) so its two clasps grip one edge of the T-bar (B in the below figure). Make sure that both clasps are gripping the T-bar.
- Hold the AP in place and gently push the locking tab (C in the below figure) until its clasp grips the other edge of the T-bar.

**NOTE:** Make sure that all three clasps are gripping the T-bar!

**FIGURE 8** Attaching the AP and T-bar bracket with the locking tab



When you are done, the AP is mounted.

### Mounting the AP on a Flat Surface or Pole Using the Optional Secure Mounting Bracket

The customer-ordered Ruckus secure mounting bracket kit (ordering part number 902-0120-0000) includes a metal mounting bracket and provides greater security when attaching the AP to flat surfaces (walls and ceilings) and to poles.

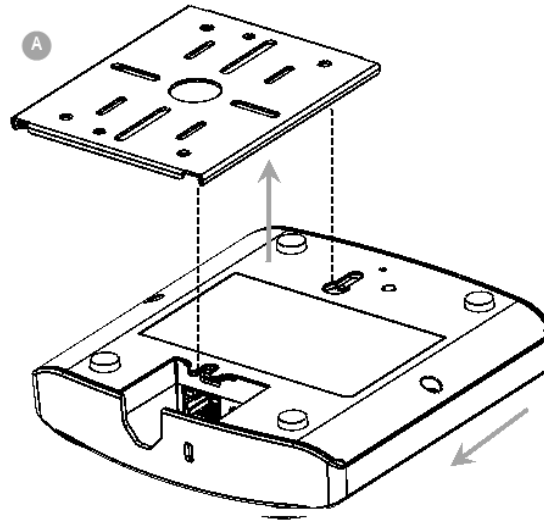
- If you are mounting the AP on a flat surface, then you will also need an electric drill with a 4.75mm (3/16") drill bit, and the four No. 6 zinc plated screws and plastic wall anchors included with the kit.
- If you are mounting the AP on a truss or pole, then you will also need the two customer-supplied stainless steel pipe clamps.

Continue with the following:

1. If you are mounting the AP on a flat surface, then use the secure mounting bracket as a template to mark the locations for four drill holes on the mounting surface. There are four screw holes available on the secure mounting bracket.  
Fasten the bracket to the flat surface using four mounting screws and plastic wall anchors and continue with Step 3 in this task.
2. If you are mounting the AP on a pipe or pole, then feed the two customer-supplied stainless steel clamps through the slots on the secure mounting bracket. Use common hand tools to tighten the clamps around the pipe or pole.

After the bracket is attached, continue with Step 3 in this task.

**FIGURE 9** Attaching the AP to the secure mounting bracket



3. Insert the two studs on the secure mounting bracket (A) into the keyholes on the bottom of the AP.
4. Slide the AP toward the Ethernet port until the locking tab in the upper AP keyhole locks the AP onto the top mounting bracket stud.

### Troubleshooting

**CAUTION!** If required, you can reset the AP to its factory default settings by using a straightened paper clip to press and hold the reset button located between the POE IN and 12VDC ports, for six or more seconds. **DO NOT DO THIS UNLESS SO INSTRUCTED.** (Doing this resets the AP IP address to 192.168.0.1.)

**NOTE:** After a reset, you can access the internal AP web interface using <https://192.168.0.1>. Your device must use any other address from 192.168.0.2 through 192.168.0.254, with subnet mask 255.255.255.0. The username is super, and the password is sp-admin. Refer to the *Outdoor Access Point User Guide* for information on configuring and operating the AP. This document is available at <https://support.ruckuswireless.com>.

© 2018 ARRIS Enterprises LLC. All rights reserved.

ARRIS, the ARRIS logo, Ruckus, Ruckus Wireless, the Ruckus logo, and the Big Dog design are trademarks of ARRIS International plc and/or its affiliates. All other trademarks are the property of their respective owners.

